

# PRODUCT INFORMATION PACKET

Model No: 5KCR48TN3084X

Catalog No: C1479

General Purpose Motor, 1,.33 HP, 1 Ph, 60 Hz, 208-230/190-220 V, 1800 RPM, 56H Frame, DP



Regal and Marathon are trademarks of Regal Rexnord Corporation or one of its affiliated companies.

©2023 Regal Rexnord Corporation, All Rights Reserved. MC017097E



### Nameplate Specifications

Output HP	1,.33 Hp	Output KW	0.75 kW
Frequency	60 Hz	Voltage	208-230/190-220 V
Current	5.3-5.4,3.6-3.7 A	Speed	1725,1140 rpm
Service Factor	1	Phase	1
Efficiency	74 %	Power Factor	0
Duty	Continuous	Insulation Class	B
KVA Code	J	Frame	56H
Enclosure	Drip Proof	Thermal Protection	Automatic
Ambient Temperature	50 °C	Drive End Bearing Size	6203
Opp Drive End Bearing Size	6203	UL	Recognized
CSA	Yes	CE	N
Number of Speeds	2		

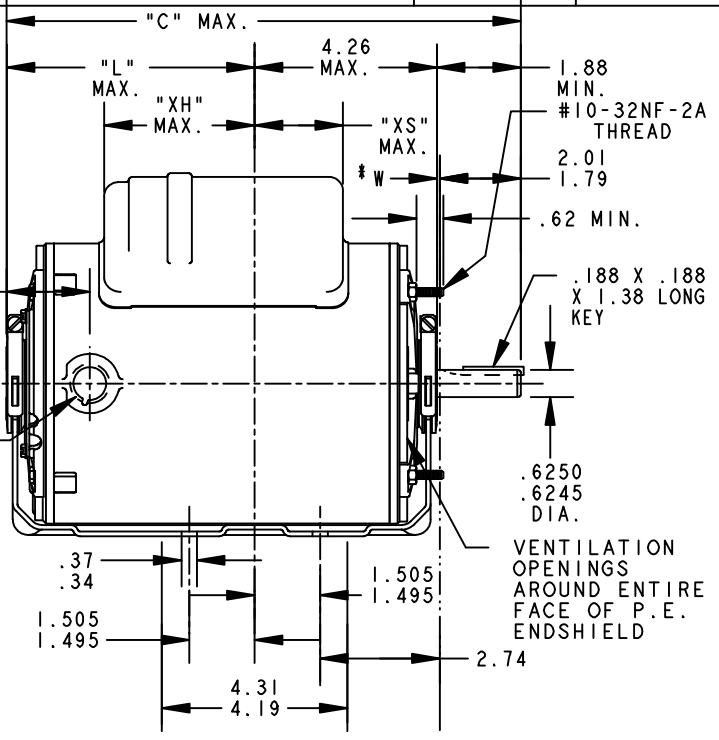
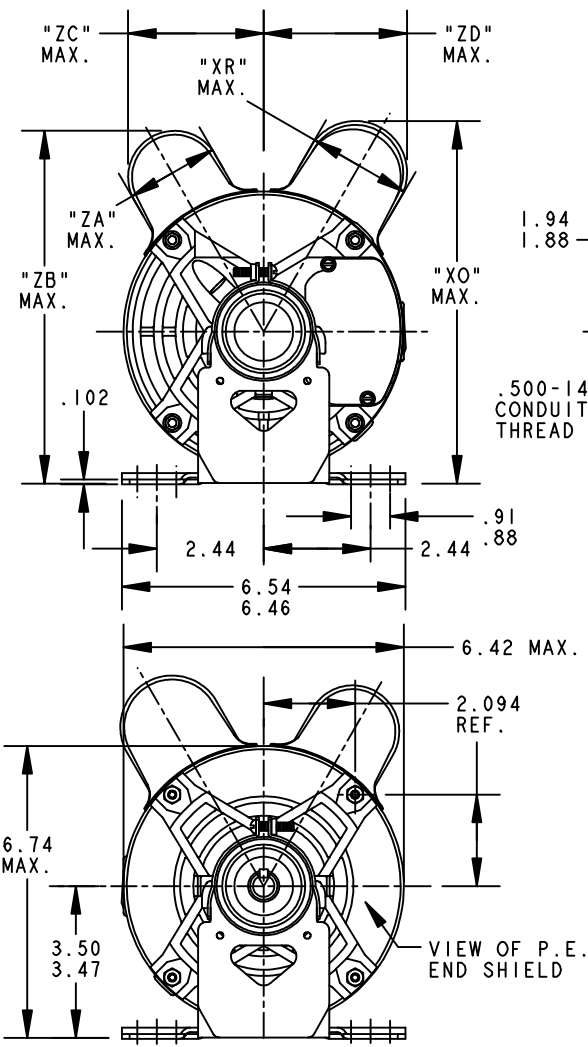
### Technical Specifications

Electrical Type	Capacitor Start Capacitor Run	Starting Method	SM
Poles	4	Rotation	Counterclockwise/Clockwise
Mounting	Resilient Base	Motor Orientation	ANY
Drive End Bearing	BALL	Opp Drive End Bearing	BALL
Frame Material	Rolled Steel	Overall Length	12.54 in
Frame Length	8.43 in	Shaft Diameter	0.630 in
Shaft Extension	1.88 in		
Connection Drawing	52A105385AF	Outline Drawing	52A109607P5

This is an uncontrolled document once printed or downloaded and is subject to change without notice. Date Created:03/15/2023

SHEET	THIRD ANGLE PROJECTION		REVISIONS			
			REV.	DESCRIPTION	DATE	APPROVED
REV			6	ADDED PT#6 PER DS11-1413 REDESIGN	06/15/2011	BHASKAR

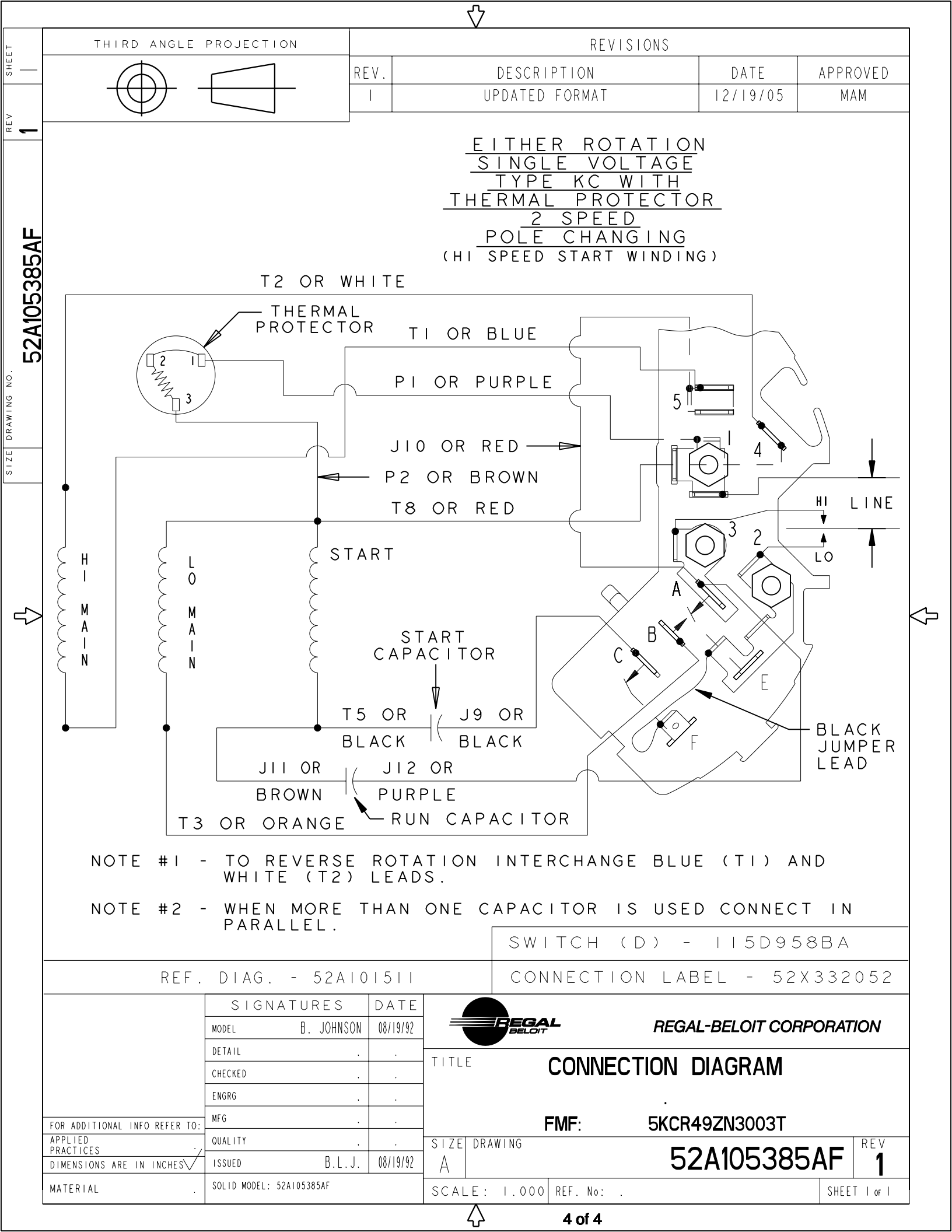
52A109607  
 SIZE DRAWING NO. A



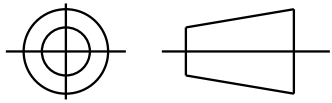
# W IS A VARIABLE CLEARANCE DUE TO VARIATIONS IN PARTS AND ASSEMBLY

6	KCR	49	56	12.01	6.75	3.62	8.16	2.10	2.30	2.10	8.16	3.15	3.15	7.68
5	KCR	48	56	12.54	6.50	4.37	7.92	1.60	2.39	2.10	8.16	3.15	3.16	8.43
4	KC	46	56	10.78	4.62	2.92	7.81	1.60	2.82	2.15	8.18	3.20	2.89	6.55
3	KCR	49	56	12.01	5.75	3.62	7.74	1.60	2.30	2.10	8.16	3.15	2.80	7.68
2	KCR	49	56	11.48	5.22	3.48	8.16	2.40	2.26	2.10	8.16	3.15	3.30	7.15
1	KCR	49	56	11.48	5.22	3.48	7.56	1.60	2.26	2.10	8.16	3.15	3.09	7.15
P	TYPE	GE SIZE	NEMA FR	"C"	"L"	"XH"	"XO"	"XR"	"XS"	"ZA"	"ZB"	"ZC"	"ZD"	MIN. SHELL

SIGNATURES		DATE		REGAL-BELOIT CORPORATION
MODEL	MA MARKS	04/06/94		
DETAIL	.	.	TITLE	
CHECKED	.	.	OUTLINE	
ENGRG	.	.	40 FRAME REDESIGN - GENERAL PURPOSE MOTOR -	
MFG	.	.	DRIP PROOF - BALL BEARING - RESILIENT BASE FMF: 5KCR49PN3012X	
FOR ADDITIONAL INFO REFER TO:	QUALITY	.	SIZE DRAWING	REV
APPLIED PRACTICES	ISSUED	M.D.PAPE	02/17/00	52A109607
DIMENSIONS ARE IN INCHES	SOLID MODEL: 52A109607	SCALE: 0.250		REF. No: .
MATERIAL				SHEET 1 of 1



THIRD ANGLE PROJECTION



REVISIONS

REV.	DESCRIPTION	DATE	APPROVED
1	UPDATED FORMAT	12/19/05	MAM

EITHER ROTATION  
SINGLE VOLTAGE  
TYPE KC WITH  
THERMAL PROTECTOR  
2 SPEED  
POLE CHANGING  
 (HI SPEED START WINDING)

T2 OR WHITE

THERMAL PROTECTOR

T1 OR BLUE

P1 OR PURPLE

J10 OR RED

P2 OR BROWN

T8 OR RED

START

START CAPACITOR

T5 OR BLACK

J9 OR BLACK

J11 OR BROWN

J12 OR PURPLE

T3 OR ORANGE

RUN CAPACITOR

HI LINE

LO

BLACK JUMPER LEAD

NOTE #1 - TO REVERSE ROTATION INTERCHANGE BLUE (T1) AND WHITE (T2) LEADS.

NOTE #2 - WHEN MORE THAN ONE CAPACITOR IS USED CONNECT IN PARALLEL.

SWITCH (D) - 115D958BA

REF. DIAG. - 52A101511

CONNECTION LABEL - 52X332052

SIGNATURES

DATE

MODEL B. JOHNSON 08/19/92

DETAIL . . .

CHECKED . . .

ENGRG . . .

MFG . . .

FOR ADDITIONAL INFO REFER TO:

APPLIED PRACTICES QUALITY . . .

DIMENSIONS ARE IN INCHES ISSUED B.L.J. 08/19/92

MATERIAL SOLID MODEL: 52A105385AF



REGAL-BELOIT CORPORATION

TITLE CONNECTION DIAGRAM

FMF: 5KCR49ZN3003T

SIZE DRAWING A 52A105385AF REV 1

SCALE: 1.000 REF. No: SHEET 1 of 1